

Plastic Lid Inspection



Plastic lid inspection can be performed on a wide range of different sizes and shaped lids

JLI's plastic lid inspection system is a compact and portable stand alone unit. The system is 2. generation and have been developed to meet the high demands for the pharmaceutical industry with regards to quality and validation. The system can be used for any type of plastic lid production, including injection blow moulding, and employ two high resolution industrial area scan cameras and stabilized LED long life light sources. By using specially designed mirrors and lenses the system is capable of inspecting an entire plastic lid on both the inside and the outside using only two cameras.

Being a portable unit the inspection system can be used for 100% online inspection as well as an offline sampling unit adding flexibility to your production. All lids are inspected for dimensional defects, visual imperfections, fins caused by extra material and unfinished products. Through the user-interface, the sensitivity and different setups can be selected. This is easily done through a touch panel. When defects exceed a selected tolerance, a signal is timed and sent to the built-in reject mechanism. On request the system can create production / batch reports.

Features

- High accuracy for visual imperfections, dimensional defects, fins and unfinished products
- 21 CFR PART 11 compliant and complete validation
- Compact and portable stand alone unit for 100% online and offline sampling inspection
- Fast changeover between different lid types
- Built-in reject mechanism
- Clever integration of illumination, and specially designed mirrors reducing the need for cameras
- Internet connectivity
- Easy setup via user friendly software
- Trend analysis and statistical process control tool
- Dedicated for pharmaceutical
- Production reports available

General

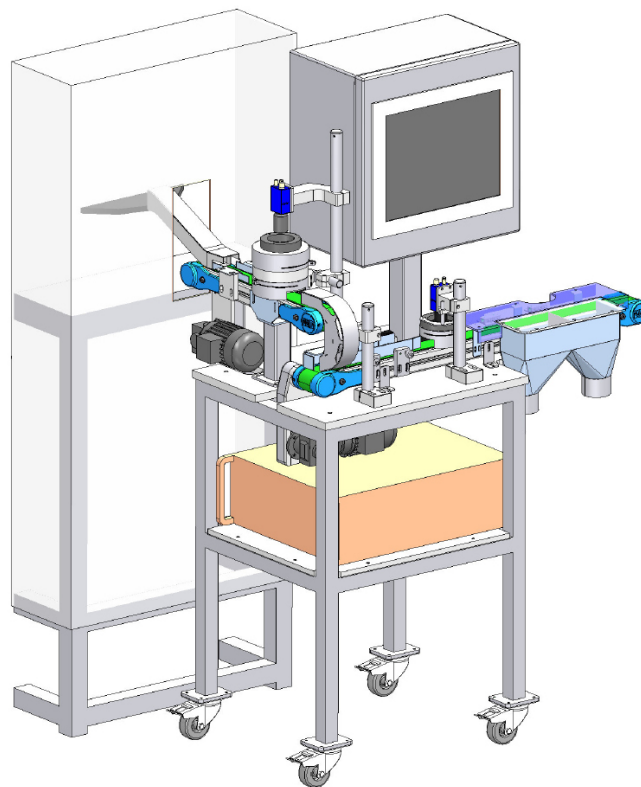
Capacity:	< 4 lids/s
Cameras:	Industrial high resolution CCD
Lid size:	∅ 10-60 mm other sizes on request
Operating temperatures:	+5° C - 45° C
Humidity:	20-80% non condensing
Power:	200-230V, 50-60Hz
Lens:	Special macro optics
Computer:	Industrial vision PC
Monitor:	17" touchscreen
Lamp life:	+ 3 year
Dimensions:	1.8 x 1.5 x 1 m (H x W x D)

Measurements

Visual defects:	All visible spots > 0.1 x 0.1 mm
Fins:	> 0.1 mm
Dimensions:	> 0.1 mm
Lid colour:	All non transparent colours

Interface

Vision input/output:	24V, Internet Production / batch report
----------------------	--



Typical setup of JLI plastic lid inspection system

Company Profile



JLI vision a/s develops, designs and manufactures dedicated turnkey vision systems for the international industry.

With more than 27 years of experience, JLI is among the oldest companies in the computer vision field. Our customers include well known international companies. JLI works in many different industries ranging from food processing to material handling, glass, steelworks, pharmaceutical, plastics and packaging.